

Visual Fire Alarm System

LED Series - AB120



Product Description

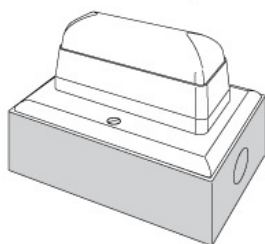
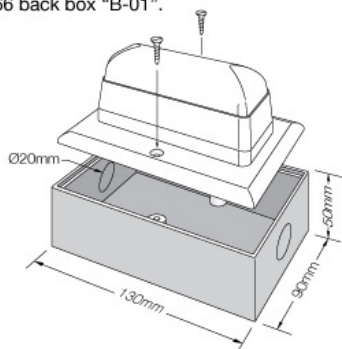
Aiming to the Visual Fire Alarm System (VFA), we proudly announce that 'a&b' invented a range of high brightness Fire Strobe with elegant design which is ideal to be installed at hotels, commercial buildings, residential buildings, hospitals and shopping malls...etc.

Having considered power saving for the fire alarm system, we adopted the best quality LEDs for production. It consumes less current while maintaining the brightness comparable to the traditional Xenon strobe does. Besides, customers can also save on material costs by largely slashing the battery size and the battery charger size. For facilitating the cabling work, our strobes can achieve self synchronization through power cables and no additional signal cables or equipment are required.

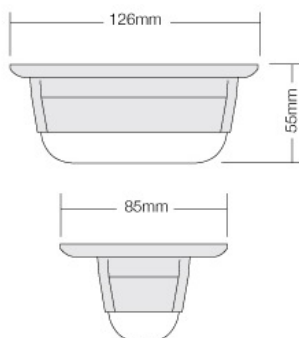
For satisfying different interior design requirement, we provide red and clear lens with red flashing as choices for Architects' design. Besides, this product is fully in compliance with BS5839 and the requirements stated in HKFSD circular letter April, 2001. Furthermore, we also invented 24vdc and 220vac models or engineers as choices for easing their design works.

Installation

IP66 back box "B-01".



Product dimension



Product Specification

Model	AB120-24/*
Standard specifications	<ul style="list-style-type: none"> • Clause 9.7 of BS5839, Part 1 : 1988 • EN54-23 : 2010 • HKFSD circular 4/2001
Power supply voltage	DC18 ~ 28V
Power dissipation	1.5W Max.
Power consumption	60mA Max. (PEAK) 30mA (AVG)
Light source type	LED
Brightness	120 cd/m ²
Flash frequency	1Hz +/- 10PPM
Operating temperature rang	-40°C ~ +85°C
IP Rating	IP54 / IP66
"*" meaning	/W = Wall mounted /C = Ceiling mounted

* Remark : IP66 can only be achieved by adding "B-01" back box.