



Hazardous Location Adaptabel® DC Bells

Diode Polarized, Fire Alarm

439DEX Series

FEATURES

- > 6" (152mm), 8" (203mm), and 10" (254mm) gong sizes
- > Low power drain for efficient operation over long wire runs
- > Adjustment free self compensating plunger
- > Corrosion resistant

AGENCY APPROVALS

- > UL Listed for Class I, Divisions 1 and 2, Groups B, C, and D; Class II, Divisions 1 and 2, Groups E, F, and G; and Class III locations
- > CSFM Listed

The Edwards hazardous location fire bell is the finest heavy duty, hazardous location bell available today. It delivers a distinctive, clear ring that is free of mechanical clatter. Vibrating bells produce a long, continuous ringing sound. The striker continues to rapidly strike the gong as long as current is applied.

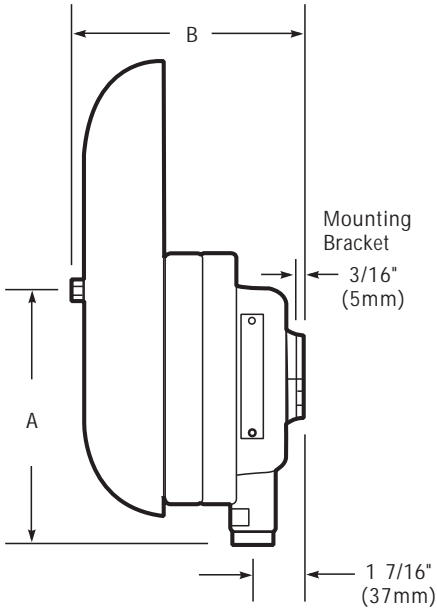
The bell has been designed for indoor applications requiring supervision of signaling circuit field wiring but may be used for unsupervised applications as well. Powder coat epoxy finished red.

Mounts to any solid surface using two 3/8" (10mm) bolts and washers. Each unit is supplied with wire leads and a sealing fitting for connection to 3/4" (19mm) conduit.

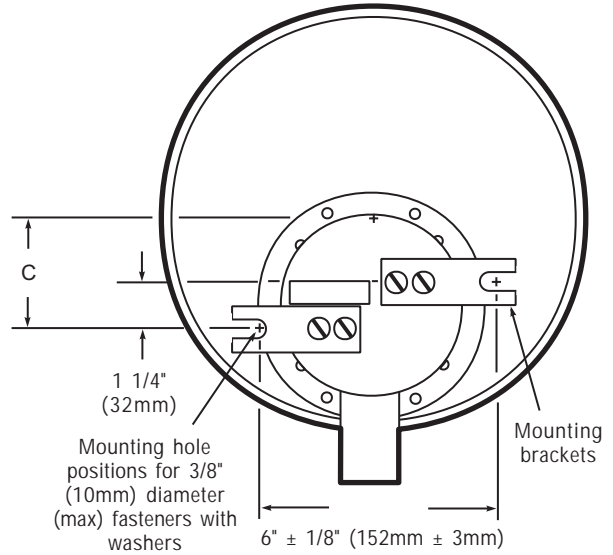
The 439DEX fire alarm bells are ideally suited for fire alarm applications in refineries, gasoline storage and dispensing areas, flammable liquid areas, paint spray booths, aircraft refueling areas, granaries, flour mills, and coal mines and other combustible dust areas.



TECHNICAL INFORMATION



Dimensions (Side View)



Dimensions (Rear View)

Gong Size	A	Dimensions B	C
6" (152mm)	4 1/16" (103mm)	4 13/16" (122mm)	5/8" (16mm)
8" (203mm)	5 1/16" (129mm)	5 1/4" (133mm)	1 5/8" (41mm)
10" (254mm)	6 1/16" (154mm)	5 3/8" (137mm)	2 5/8" (67mm)

Cat No.	Volts	Amps RMS	dB at 10 ft.	Gong Size
439DEX-6AW	24	0.240	83	6" (152mm)
439DEX-8AW	24	0.240	86	8" (203mm)
439DEX-10AW	24	0.240	89	10" (254mm)

Mounting Configuration

