

香港大學試驗  
空調系統專用  
防火閘連桿熔斷證書

**R.R.**  
**FUSIBLE LINKS TYPE A & B**

香港消防處試驗  
空調系統專用  
防火閘連桿熔斷證書

APPROVED BY FIRE SERVICE DEPARTMENT, FIRE PREVENTION BUREAU OF H.K. GOVERNMENT  
TEST BY H.K. UNIVERSITY

\*ONLY TYPE A ON - STOCK

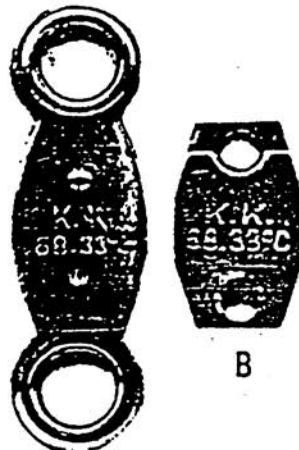
UNIVERSITY OF HONG KONG

NO. 300001  
DEPARTMENT OF MECHANICAL ENGINEERING

Test Report

Subject: Fusible Links  
Sample submitted by: Kam Kee Engineering Co.,  
22 Centre St., 3rd Fl.,  
Hong Kong.  
Manufacturer: Kam Kee Engineering Co.  
Trade Mark: K.K. 68.33°C  
Method of test: Temperature test  
Date: 20th Oct., 1981  
Result:

Sample No.	Breaking Temp. °C	Applied Load During Test Kg
	61.0	5
	60.0	5
3	59.0	5
4	66.0	5
5	59.5	5



A  
B  
TEMP. RATING 68.33°C ±5°C  
68.33°C = 155°F

Date: 20th Oct., 1981  
Certified by: [Signature]  
J. Lee  
Sc. Ph. D.,  
C. Eng., N.I.Tech. E.

香港大學試驗  
防火閘連桿拉力證書

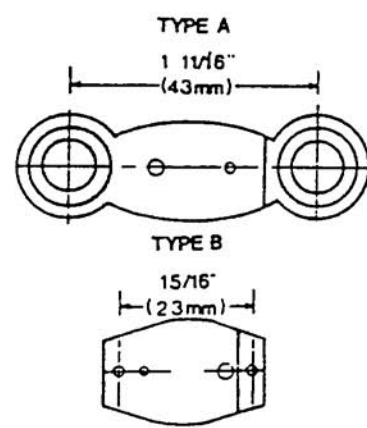
UNIVERSITY OF HONG KONG

DEPARTMENT OF MECHANICAL ENGINEERING

Test Report

Subject: Fusible Link for use in air-conditioning installation  
Sample submitted by: Kam Kee Engineering Co.,  
No. 22 Centre St.,  
3 Fl., Hong Kong.  
Age: N/A  
Date of test: 20th Oct 1981 at room temperature  
21st temperature test  
Date: 20th  
Strength test at room temperature

Sample No.	Breaking Load (Kg)
1	287
2	278
3	292
4	270
5	260



100°C = 212°F 270°C = 518°F  
廚房專用 煙道專用  
防火閘連桿 防火閘連桿

以上證書均為縮影  
如要正本請依原證  
實地址來信取閱

註：以上廚房煙道用防火閘連桿  
如要香港大學試驗溫度熔斷  
證書請依原證實地址來信取閱

消防事務處  
火災組  
香港  
電話：2772123



FIRE SERVICES DEPT.  
FIRE PREVENTION BUREAU  
HONG KONG

REF: 000001 778 314/18  
FROM: You see  
TO: Mr. Lee 5-201122 17th August, 1981

Messrs. Kam Kee Engineering Company,  
No. 22 Centre Street,  
3rd floor,  
Hong Kong.

Dear Sirs,

FUSIBLE LINK FOR USE IN AIR-CONDITIONING INSTALLATION

Thank you for your letter dated 17th August, 1981, and 2 enclosed fusible links with trademark 'K.K. 68.33°C' for my approval.

The fusible links were tested when loaded at approximately 5 kg and found satisfactory. They are, therefore, approved for use in ventilating systems, coming within the provision of the Building (Vent Systems) Regulations.

Yours faithfully,

[Signature]  
(Mr. K. Lee)  
for Director of Fire Services

MS/MS/101

香港消防處試驗  
空調系統專用  
防火閘連桿熔斷證書

消防事務處  
火災組  
香港  
電話：2772123



FIRE SERVICES DEPT.  
FIRE PREVENTION BUREAU  
HONG KONG

REF: 000001 778 314/18  
FROM: You see  
TO: Mr. Lee 5-201122

Messrs. Kam Kee Engineering Company,  
No. 22 Centre Street,  
3rd floor,  
Hong Kong.

Dear Sirs,

FUSIBLE LINK FOR USE IN AIR-CONDITIONING INSTALLATION

Thank you for your letter dated 17th August, 1981, and the enclosed fusible links with trademark 'K.K. 270°C' for my approval.

The fusible links were tested when loaded at approximately 5 kg and found satisfactory. They are, therefore, approved for use in ventilating systems, coming within the provision of the Building (Ventilating Systems) Regulations.

Thank you for your interest in this matter.

Yours faithfully,

[Signature]  
(Mr. K. Lee)  
for Director of Fire Services