

## AVS GANGABLE SYNCHRONIZATION CONTROL MODULE

### Applications

The Gentex AVSM and AVS44 control modules are designed to provide an easy way to synchronize multiple horns as well as strobe light flashes using only two wires in instances where a synchronized flash is required.

When the module is in temporal 3 mode, it has the capability to synchronize multiple horn signals and the ability to silence the horn while allowing the strobes to continue to flash. In unison mode, the horn cannot be silenced while maintaining strobe operation.

By incorporating the control module as shown in the following diagrams on pages 2-4, the control module will control the power to the horns to produce the synchronized operation. The AVSM and AVS44 Control Modules are warranted for three years from date of purchase.

### Standard Features

- Synchronize Horn and Strobe With the Use of Only Two Wires
- Easy to Install
- Module is Rated for 3 Amps Continuous Current and 5 Amps Surge or Inrush Current
- Synchronizes to 1Hz Flash Rate
- Operates 1 Class 'A' Circuit or 2 Class 'B' Circuits at 3 Amps per Circuit.
- Dual Synchronization Module **Only** When Using the 2 Class 'B' Circuits.
- A Green LED Status Indicator to Signal Operation of Module.
- Option to Silence the Horn While Strobes Continue to Flash When Using Temporal 3 Mode.
- AVSM Operates the GCS/GCC, GCSR/GCCR, GES3-24/GEC3-24, GES3-12/GEC3-12, GEC/GES/GEH, GESR/GECR, SSPK Series and GX93 Series.
- The AVSM **WILL NOT** Operate the ST/HS Series. The AVS44 **MUST BE** used.
- The AVS44 **MUST BE** Used When the ST/HS Series is on a Circuit.
- The AVS44 **WILL NOT** Operate the GES3-12/GEC3-12 Series. The AVSM **MUST BE** used.
- Three Year Warranty From Date of Purchase.

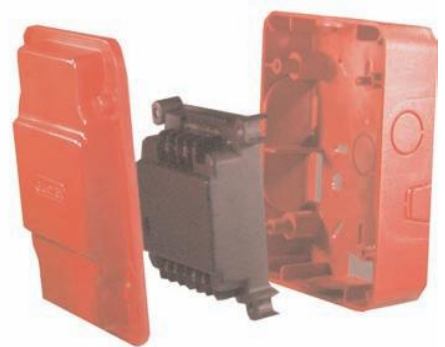
### Available Models

Model Number	Part Number	Model Number	Part Number
AVSM-R	904-1243-002	AVS44-R	904-1255-002
AVSM-W	904-1244-002	AVS44-W	904-1256-002

AVS Series Product Current Draw		
Product	AVS44	AVSM
12 VDC	N/A	27mA
12VDC UL Max <sup>1</sup>	N/A	31mA
24VDC	37mA	37mA
24 VDC UL Max <sup>1</sup>	45mA	45mA

<sup>1</sup> RMS current ratings are per UL average RMS method. UL max current rating is the maximum RMS current within the listed voltage range (16-33VDC for 24VDC units) (8-17VDC for 12VDC units). For strobes the UL max current is usually at the minimum listed voltage (16VDC for 24VDC units) (8VDC for 12VDC units). For audibles the max current is usually at the maximum listed voltage. For unfiltered FWR ratings, see installation manual.

## AVS MODULE SERIES



AVSM & AVS44 CONTROL MODULE

### Product Listings



This symbol on the product's nameplate means it is Listed by UNDERWRITERS LABORATORIES, INC.

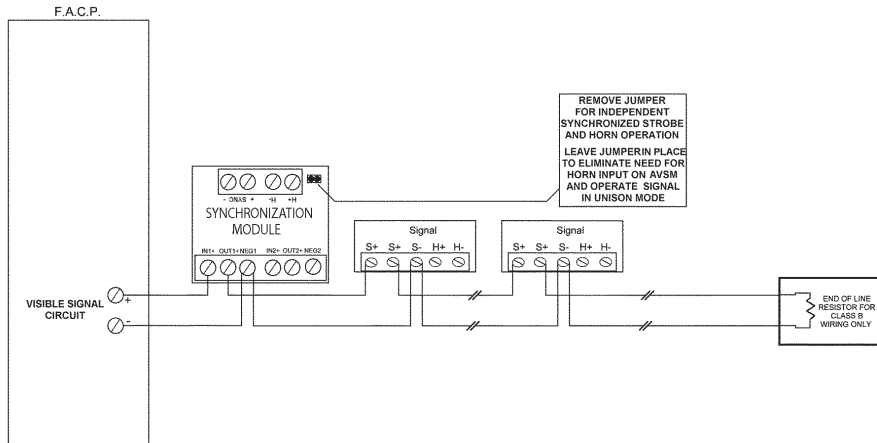
- BFP (City of Chicago)
- BS+A/MEA 285-91-E Vol.XII (AVS44)  
285-91-E Vol.XVIII (AVSM)
- CSFM: 7300-0569:121 (AVS44)  
7125-0569:123 (AVSM)
- UL 464 and UL 1971 Listed
- CAN/ULC S526-M87/S524-01 Compliant



### Notes:

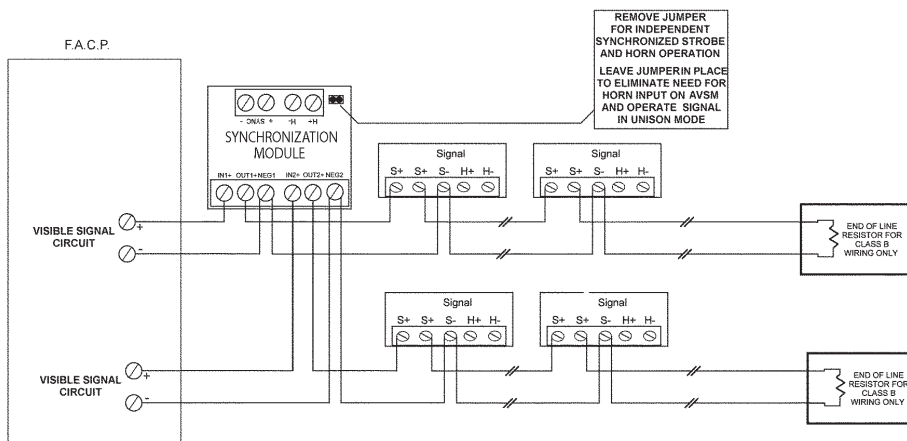
- The AVS Modules come with own back box and cover plate.
- **Dimensions of Module:** 3.85"H x 3.82"W x 1.32"D  
**Dimensions of Box:** 5.57"H x 4.55"W x 2.39"D
- A green LED status indicator will flash once every four seconds if zone 1 is operational. The LED will flash twice every four seconds if zones 1 and 2 are operational.

**Diagram 1**  
**Wiring for One Class B Circuit with Strobe/Horn Operating in Unison**



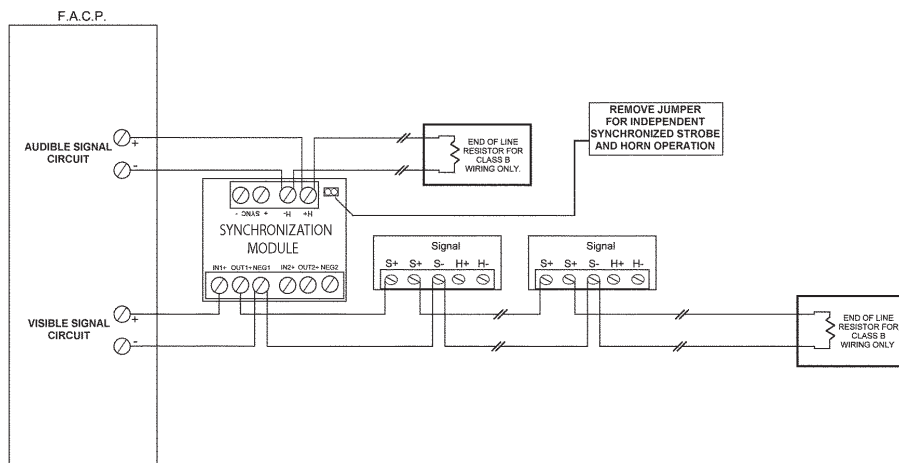
- AVSM Operates the GCS/GCC Series, GES3-24/GEC3-24 Series, GES3-12/GEC3-12 Series, GEC/GES/ GEH Series, SSPK/ SSPKC Series and GX93 Series.
- The AVS44 **MUST BE** used when the ST/HS Series is on a circuit.

**Diagram 2**  
**Wiring for Two Class B Circuits with Strobe/Horn Operating in Unison**



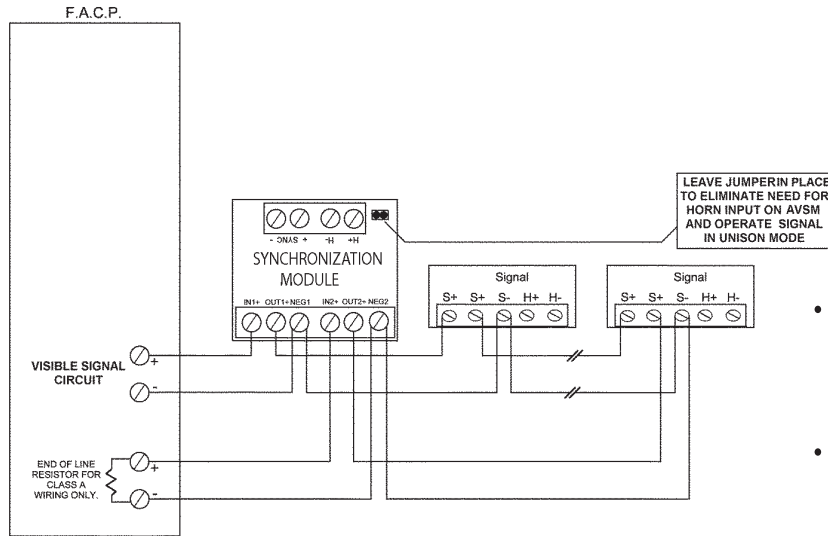
- AVSM Operates the GCS/GCC Series, GES3-24/GEC3-24 Series, GES3-12/GEC3-12 Series, GEC/GES/ GEH Series, SSPK/ SSPKC Series and GX93 Series.
- The AVS44 **MUST BE** used when the ST/HS Series is on a circuit.

**Diagram 3**  
**Wiring for One Class B Circuit with Strobe/Horn Operating Independently**



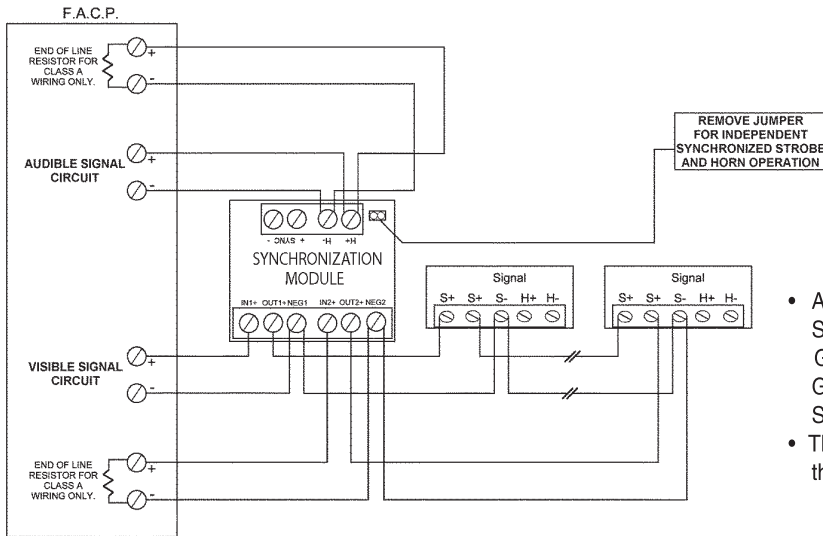
- AVSM Operates the GCS/GCC Series, GES3-24/GEC3-24 Series, GES3-12/GEC3-12 Series, GEC/GES/ GEH Series, SSPK/ SSPKC Series and GX93 Series.
- The AVS44 **MUST BE** used when the ST/HS Series is on a circuit.

**Diagram 4**  
**Wiring for One Class A Circuit with Strobe/Horn Operating in Unison**



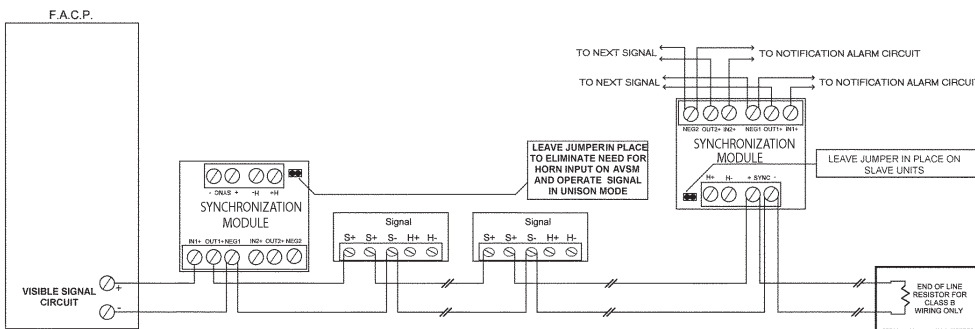
- AVSM Operates the GCS/GCC Series, GES3-24/GEC3-24 Series, GES3-12/GEC3-12 Series, GEC/GES/ GEH Series, SSPK/ SSPKC Series and GX93 Series.
- The AVS44 **MUST BE** used when the ST/HS Series is on a circuit.

**Diagram 5**  
**Wiring for One Class A Circuit with Strobe/Horn Operating Independently**



- AVSM Operates the GCS/GCC Series, GES3-24/GEC3-24 Series, GES3-12/GEC3-12 Series, GEC/GES/ GEH Series, SSPK/ SSPKC Series and GX93 Series.
- The AVS44 **MUST BE** used when the ST/HS Series is on a circuit.

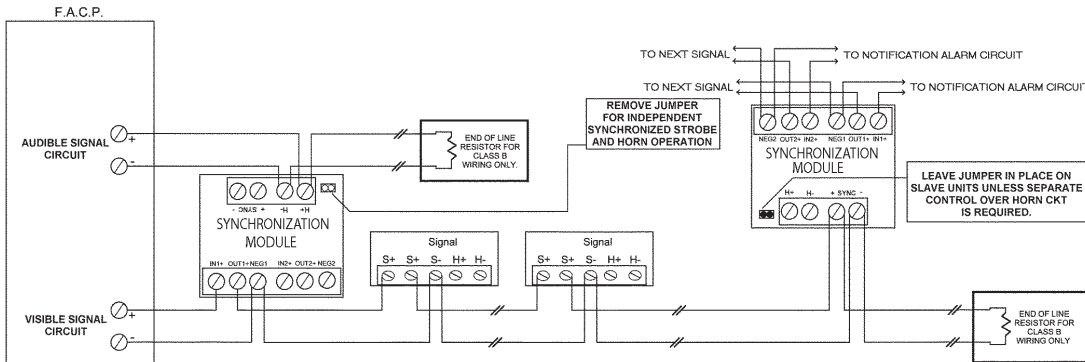
**Diagram 6a**  
**Wiring for One Class B Circuit with Strobe/Horn Operating in Unison and Use of Slave Module**



- AVSM Operates the GCS/GCC Series, GES3-24/GEC3-24 Series, GES3-12/GEC3-12 Series, GEC/GES/ GEH Series, SSPK/ SSPKC Series and GX93 Series.
- The AVS44 **MUST BE** used when the ST/HS Series is on a circuit.

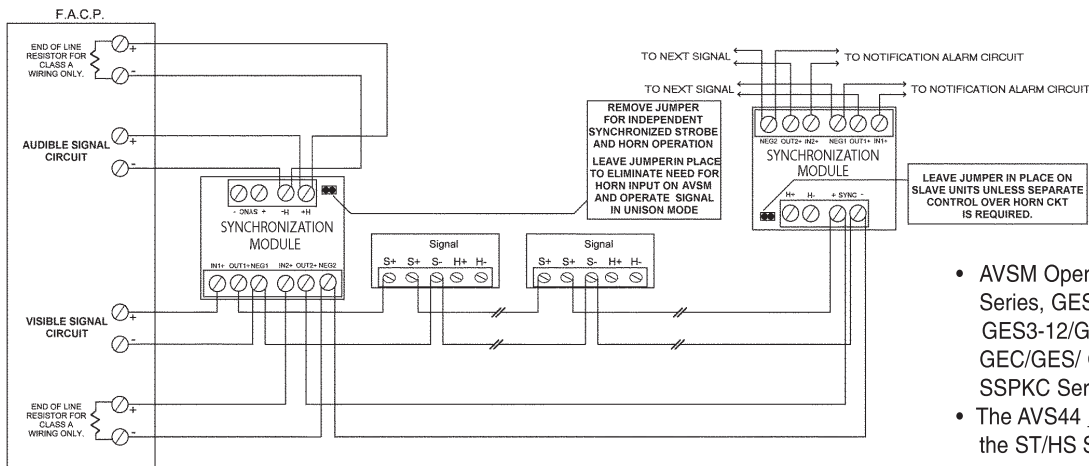
# AVS MODULE SERIES

**Diagram 6b**  
Wiring for One Class B Circuit with Strobe/Horn Operating Independently and Use of Slave Module



- AVSM Operates the GCS/GCC Series, GES3-24/GEC3-24 Series, GES3-12/GEC3-12 Series, GEC/GES/ GEH Series, SSPK/ SSPKC Series and GX93 Series.
- The AVS44 **MUST BE** used when the ST/HS Series is on a circuit.

**Diagram 7**  
Wiring for One Class A Circuit with Strobe/Horn Operating Independently and Use of a Slave Module



- AVSM Operates the GCS/GCC Series, GES3-24/GEC3-24 Series, GES3-12/GEC3-12 Series, GEC/GES/ GEH Series, SSPK/ SSPKC Series and GX93 Series.
- The AVS44 **MUST BE** used when the ST/HS Series is on a circuit.

**Note:** When using the Commander 2, 3 & 4 Series incoming positive power lead must be broken and each lead is to be inserted into each of the top two terminals. If two power runs are made to the signal, one for the strobe and one for the horn, only one of the runs must have its positive lead broken and placed under the two separate top terminals. A barrier is provided to prevent both leads from being placed under the same terminal.

**NOTE:** The AVS Modules are listed per UL 1971/Signaling Appliances for the Hearing Impaired with a voltage range of 8-33 VDC/fwr and CAN/ULC S526-M87, Visual Signaling Appliances, with a voltage range of 10 VDC/fwr to 30 VDC/fwr - 20% +10%. It is for indoor use only, with a temperature range of 0°C - 49°C (32°F - 120°F) and a maximum humidity of 93%RH.

**CAUTION:** The AVS Modules are to be connected only to circuits that provide continuously applied voltage. Do not use this module on coded or interrupted circuits in which the voltage is cycled on and off.

**GENTEX**  
CORPORATION

Fire Protection Products: [www.gentex.com](http://www.gentex.com)  
10985 Chicago Drive Box 310 • Zeeland, Michigan 49464  
616.392.7195 • 1.800.436.8391 • 616.392.4219 Fax

Gentex corporation reserves the right to make changes to the product data sheets at their discretion.

**Important Notice:**

These materials have been prepared by Gentex Corporation ("Gentex") for informational purposes only, are necessarily summary, and are not purporting to serve as legal advice and should not be used as such. Gentex makes no representations and warranties, express or implied, that these materials are complete and accurate, up-to-date, or in compliance with all relevant local, state and federal laws, regulations and rules. The materials do not address all legal considerations as there is inevitable uncertainty regarding interpretation of laws, regulations and rules and the application of such laws, regulations and rules to particular fact patterns. Each person's activities can differently affect the obligations that exist under applicable laws, regulations or rules. Therefore, these materials should be used only for informational purposes and should not be used as a substitute for seeking professional legal advice. Gentex will not be responsible for any action or failure to act in reliance upon the information contained in this material.

551-0031-01

Printed on Recycled Paper