

## Fire Alarm Bell

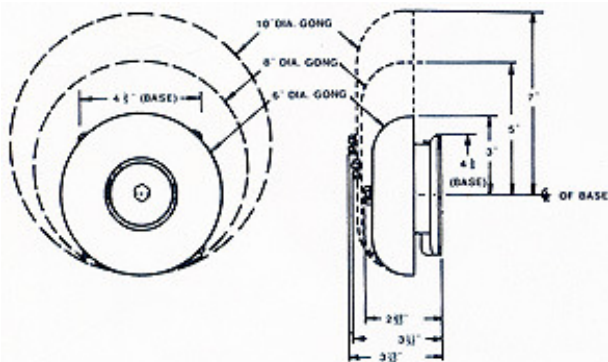


- ◇ **UL APPROVED**
- ◇ **HIGH dbA OUTPUT**
- ◇ **LOW POWER CONSUMPTION**
- ◇ **AVAILABLE IN 6" ,8" ,10" HOUSING**
- ◇ **QUICKLY AND EASILY INSTALLED**

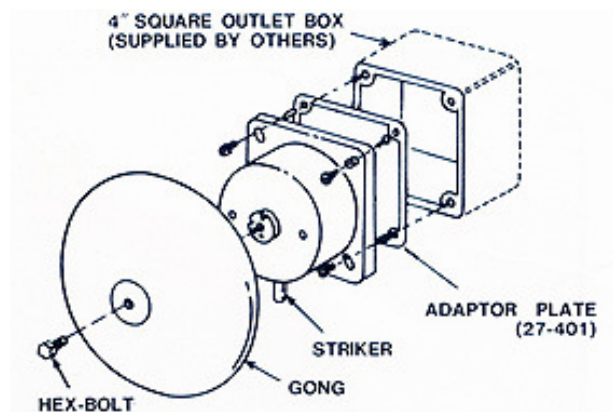
### INSTALLATION NOTE /

1. Remove the gong.
2. Wire the bell in the circuit.
3. Mount bell mechanism on 4" square standard outlet box with the striker facing down.
4. Remove a gong.
5. The bell must be mounted a minimum of 8ft., above the floor, or, as close to the ceiling as possible.
6. Polarized bell provides Red(-) and Black(-) lead wires. When you install the bell, must be observed the polarity.

### BASIC MECHANISM AND GONGS /



### INSTALLATION /



### SPECIFICATION /

MODEL	RATING	6" CONG SIZE		8" CONG SIZE		10" CONG SIZE	
	VOLTAGE	Rated Current	Sound level AT 10 FT db	Rated Current	Sound level AT 10 FT db	Rated Current	Sound level AT 10 FT db
HC-1006	6VDC	250mA	95	250mA	95	250mA	95
HC-1012	12VDC	180mA	96	180mA	96	180mA	96
HC-1024	24VDC	100mA	96	100mA	96	100mA	96
HC-1120	120VAC	25mA	98	25mA	98	25mA	98
HC-1220	220VAC	20mA	97	20mA	97	20mA	97