

HENRY ENGINEERING & SUPPLIES
O/B GOOD STRIDE LIMITED

亨利公司

香港九龍新填地街287-289號
昌泰商業大廈三字樓
電話：二三三二一三〇九
圖文傳真：2385 9241

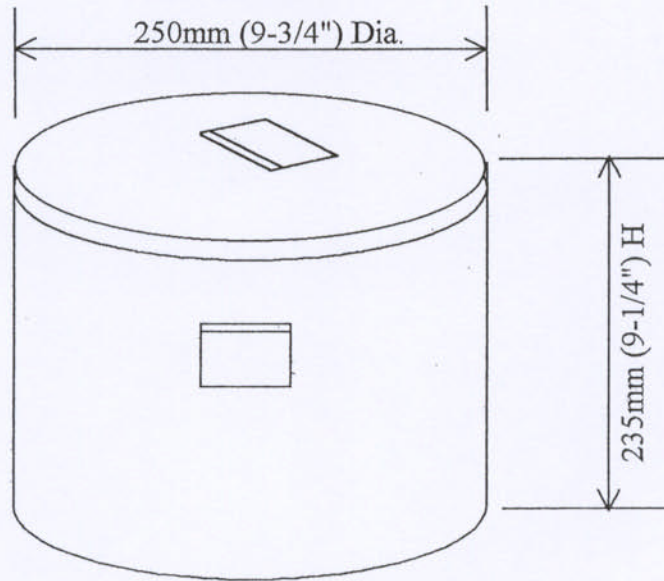
Cheong Tai Commerical Building, 3/FI.,
287-289 Reclamation Street, Kowloon, Hong Kong.
Tel : 2332 1309 Fax : 2385 9241

YOUR REF. :

OUR REF. :

DATE :

Sand Bucket



Specification:-

Material: Zine plated iron with painted red and white letter "FIRE" & "防火沙"
Dimension: 250mm Dia. x 235mm High
Max. Capacity: 11 Litres