

MCP Indoor Call Point Range

NO/NC Contact Model

(Colour Versions)



> Product Benefits

- Unique 'Plug & Play' installation concept
- Total 'Flex-Ability' in the choice of operating element
- Anti-Tamper facility
- Enhanced aesthetics
- Backward compatibility



Product Overview

Installation efficiency and flexibility are at the heart of the new MCP indoor call point range.

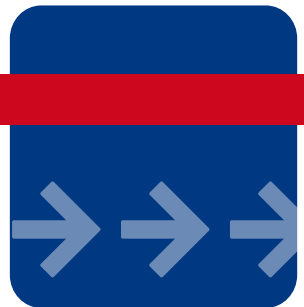
Installation time and ultimately cost, are of paramount importance to any fire or security installer. The MCP range directly reflects this need by providing a unique 'plug and play' concept designed specifically to reduce installation time. All new MCP products utilise a special terminal block, where all initial installation cabling is terminated. This terminal block is then simply connected to the back of the MCP. Simple, but effective with no re-termination required and no time wasted.

Both break glass and resettable operating elements can now be used within a manual call point. To provide you with the greatest 'flex-ability', the new MCP range can be configured as either a break glass or resettable unit by simply changing from one element to another. No other additional parts or alternative products need to be ordered.

All MCP indoor call point products also help preserve the integrity of the overall system as illegal removal of the product lid will result in the call point operating and the system going into alarm.

The MCP3A product version is supplied with one normally open and one normally closed contact. Selecting either the "Normally Open" or "Normally Closed" contact is easily achieved by simply connecting the terminal block to the required connection in the back of the MCP3 product. Single pole changeover switching can be achieved with the use of two terminal blocks.

All of our colour products can be supplied with a variety of markings to meet your specific requirements. Please contact our sales team for further information.



KAC

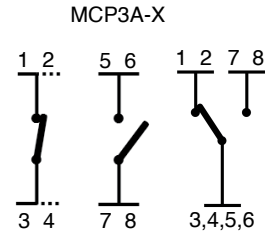
MCP₃-COL
Rev. No.2



Electrical Specification

Connection Details: See Figure .1
 Cable Termination: 0.5-2.5mm²
 Maximum Voltage: 30VDC
 Current Rating (switch only): 2 Amps

Figure .1

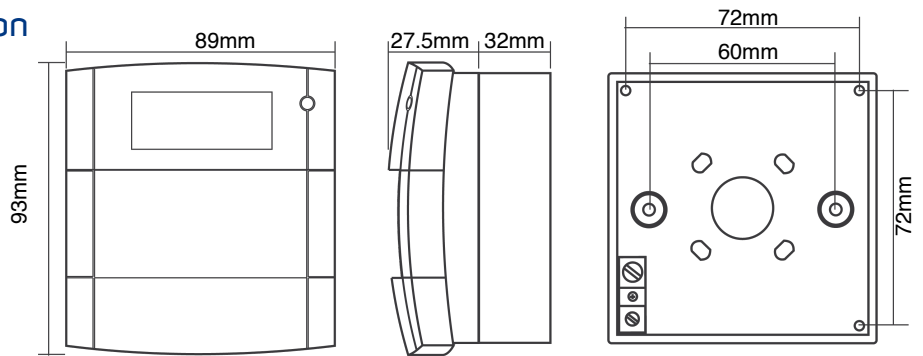


Environmental Specification

Humidity: 0-95% non-condensing
 Operating Temperature: -10°C to +55°C
 Storage Temperature: -10°C to +55°C
 Ingress Protection (IP) Rating: IP24D

Mechanical Specification

Material: PC/ABS
 Weight: 110g Flush
 160g Surface
 Colour: Green,
 White,
 Yellow,
 Blue.



Ordering Information

Model	Electrical Configuration	Colour	Mounting	Operating Element	Markings
Stock					
MUS3A-G000SG-12	N/O or N/C contact 30VDC	Green	Surface	Glass	EDR
MUS3A-G000SF-12	N/O or N/C contact 30VDC	Green	Surface	Flexi	EDR
MUS3A-Y000SG-01	N/O or N/C contact 30VDC	Yellow	Surface	Glass	Plain
MUS3A-W000SG-01	N/O or N/C contact 30VDC	White	Surface	Glass	Plain
Non-Stock					
MCP3A-GC01SG-12	Single pole changeover contact 30VDC	Green	Surface	Glass	EDR
MCP3A-GC01SF-12	Single pole changeover contact 30VDC	Green	Surface	Flexi	EDR
MCP3A-YC01SG-01	Single pole changeover contact 30VDC	Yellow	Surface	Glass	Plain
MCP3A-WC01SG-01	Single pole changeover contact 30VDC	White	Surface	Glass	Plain
MCP3A-G000SF-11	N/O or N/C contact 30VDC	Green	Surface	Flexi	Plain
MCP3A-Y000SF-11	N/O or N/C contact 30VDC	Yellow	Surface	Flexi	Plain
MCP3A-W000SF-11	N/O or N/C contact 30VDC	White	Surface	Flexi	Plain
MCP3A-B000SF-11	N/O or N/C contact 30VDC	Blue	Surface	Flexi	Plain

N/O = Normally Open Contact
 N/C = Normally Closed Contact

Accessories

Code	Description
SC070	Pack of Ten Test Keys
KG1 x5	Pack of Five Glass Elements
PS210	Flexible Operating Element
PS200	Plain Hinged Cover
SC071	Pack of Ten Terminal Blocks

> KAC Alarm Company Limited
 15 - 19 Trescott Road,
 Smallwood, Redditch,
 Worcestershire B98 7AH.
 England.
 Telephone: +44 (0) 1527 406655
 Fax: +44 (0) 1527 406677
 e-mail: marketing@kac.co.uk

